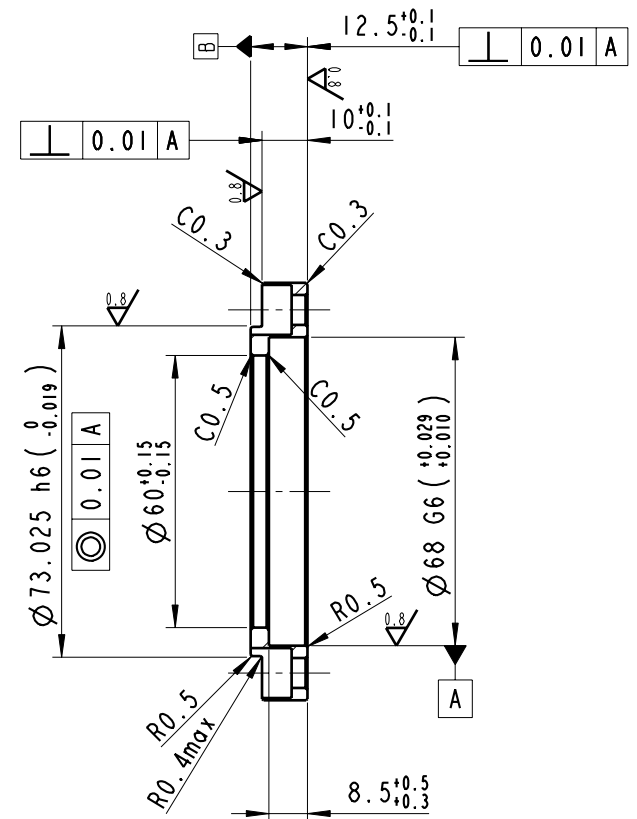
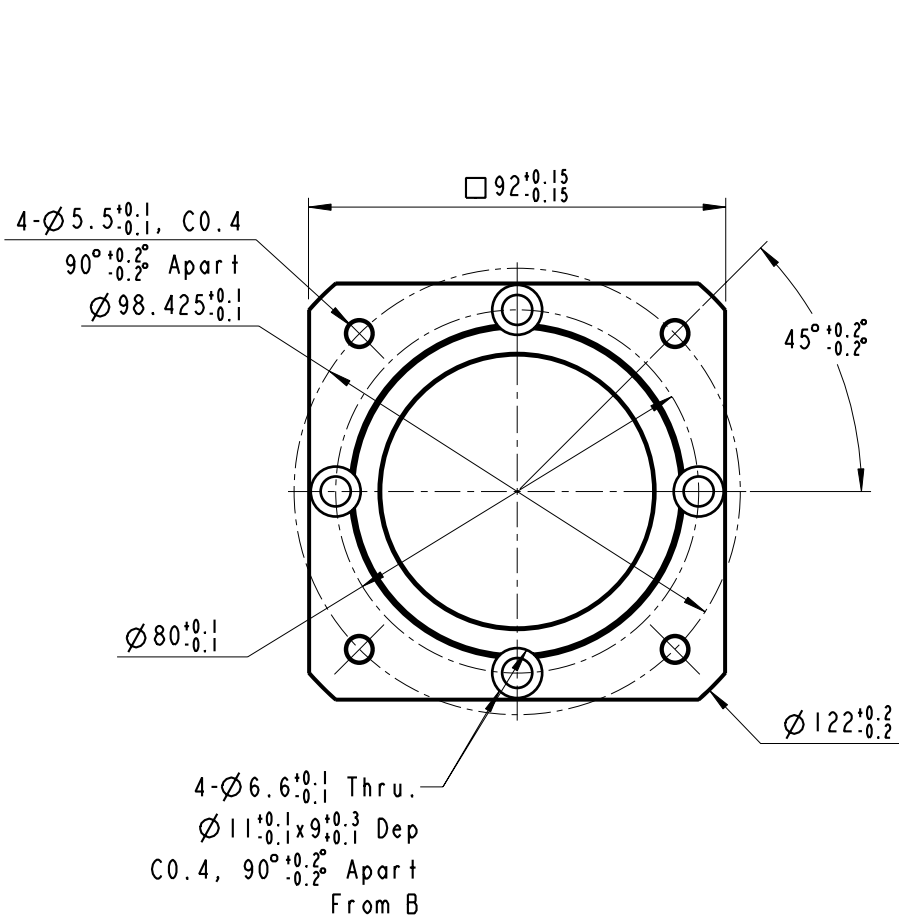


SCALE 1:2



Hardness 60±5 HRB  
 Mass= 1.563 Kg  
 Fix Plate For AE090-NEMA 34



APEX DYNAMICS, INC.

Rev No	Revision Content	Revisier	Date

NO	Material	Qty	Part No	Part Name
	AL6061		PF130003	Front Plates
Dwg Name	FP-W 92-D73.025			Page 1 / 1
Dwg No	PF130003.00			Size A4
Appover			Scale	3:5
Checker			Date	19-Oct-06
Designer	Jacky Hsueh		Drawer	Jacky Hsueh