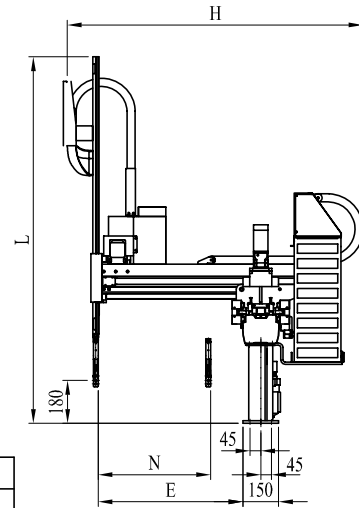
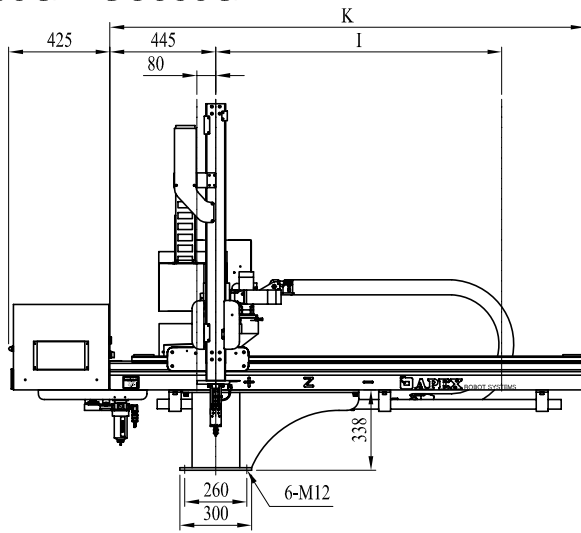


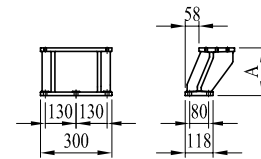
Mechanical Drawings

SC750G ~ SC950G

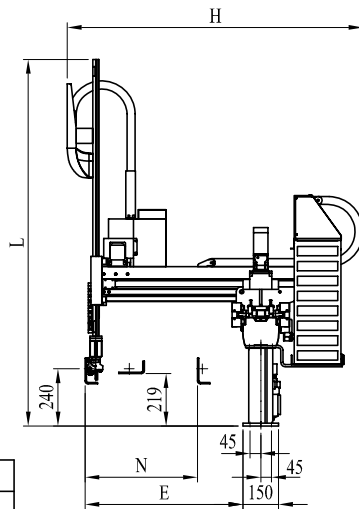
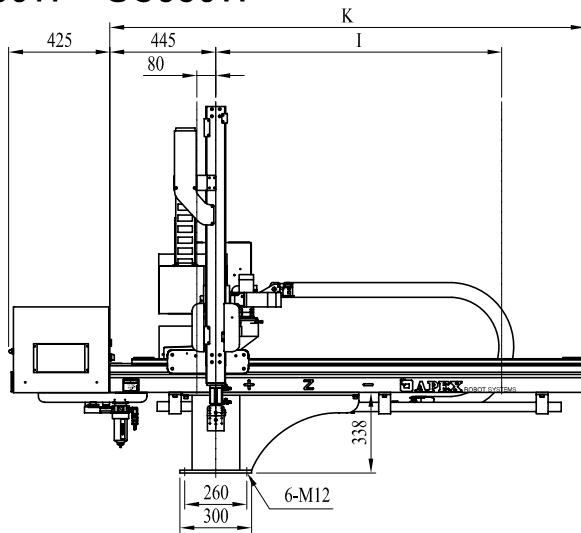


Model No.	E	H	I	K	L	N
SC750G	487	1121	1020	1814	1550	352
SC950G	607	1241	1300	2094	1750	472

A
100
150
200
250
300
350

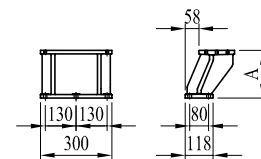


SC750W ~ SC950W



Model No.	E	H	I	K	L	N
SC750W	543	1121	1020	1814	1550	352
SC950W	663	1241	1300	2094	1750	472

A
100
150
200
250
300
350



Technical Specifications

Model No.		Stroke (mm)			Max. Payload (kg)	Net Weight (kg)	Operating Air Pressure
		Crosswise (N)	Vertical	Traverse (I)			
SC750G	Single-stage with gripper	352	750	1020	3	180	5 bar
SC950G	Single-stage with gripper	472	950	1300	3	185	
SC750W	Single-stage with wrist	352	750	1020	3	185	
SC950W	Single-stage with wrist	472	950	1300	3	190	

Operation Voltage: AC 220V single phase